



General data

LUMOTAST 25 pushbutton range

- Illuminable pushbuttons and signal lamps. Please order lamps/LEDs separately.
- Mounting hole diameter: 16.2 mm
- 42 V/100 mA max.
- Water-jet proof IP65
- Low profile
- Lamp socket Bi-Pin T 1 for LEDs and filament lamps
- Keyed socket connector and flat ribbon cable or PCB plug-in socket
- Ring nut or click fixing method.

Content

LUMOTAST 25 illuminated pushbutton

LUMOTAST 25 illuminated pushbutton with flush lens, „Click“ quick-assembly feature	1 - 22
LUMOTAST 25 illuminated pushbutton with flush lens, ring nut fixing	1 - 24
LUMOTAST 25 illuminated pushbutton with protruding lens, „Click“ quick-assembly feature	1 - 25
LUMOTAST 25 illuminated pushbutton with protruding lens, ring nut fixing	1 - 25
LUMOTAST 25 illuminated pushbutton with protruding collar, „Click“ quick-assembly feature	1 - 26
LUMOTAST 25 illuminated pushbutton with protruding collar, ring nut fixing	1 - 26

LUMOTAST 25 selector switch

LUMOTAST 25 selector switch, „Click“ quick-assembly feature	1 - 28
LUMOTAST 25 selector switch, ring nut fixing	1 - 29

LUMOTAST 25 keylock switch

LUMOTAST 25 keylock switch	1 - 30
	1 - 31

LUMOTAST 25 emergency stop pushbutton

LUMOTAST 25 emergency stop pushbutton, ring nut fixing	1 - 32
	1 - 33

LUMOTAST 25 signal lamp

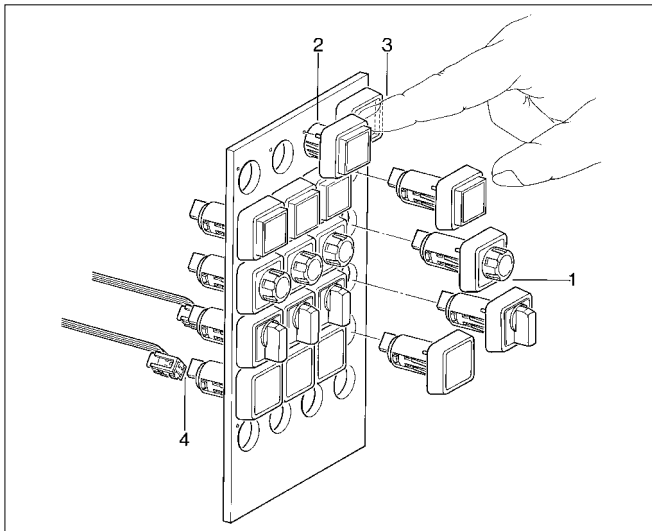
LUMOTAST 25 signal lamp, 24 V, „Click“ quick-assembly feature	1 - 34
LUMOTAST 25 signal lamp, 24 V, ring nut fixing	1 - 36
	1 - 36

Series LUMOTAST 25

16.2 mm mounting hole diameter

1

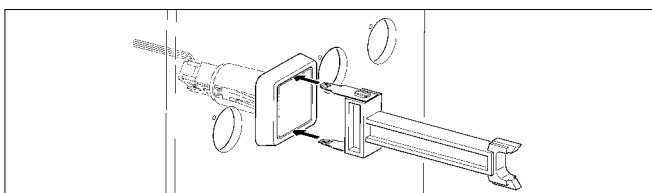
Design Click-Version



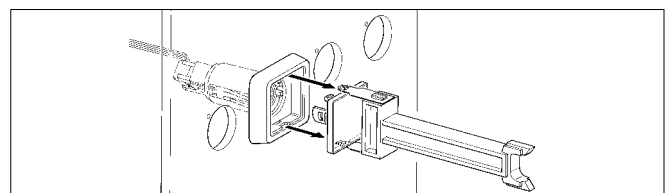
1. As delivered
2. Insert pushbutton in hole
3. Actuate once
4. Insert connector with flat-ribbon cable

Disassembly Click-Version

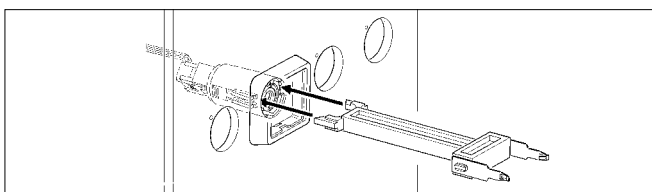
Click-Version from front (only for pushbuttons and signal lamps with special tool for dismounting)



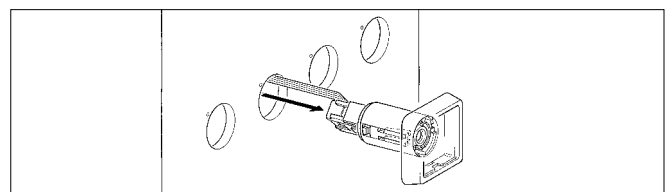
1. Grip body/lens



2. Pull out body/lens



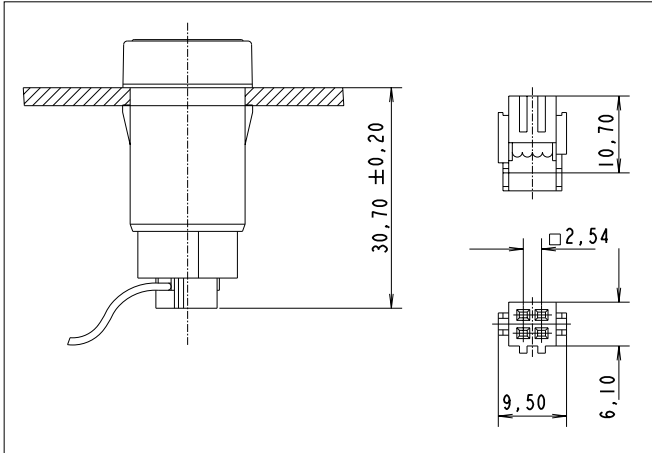
3. Release click lever



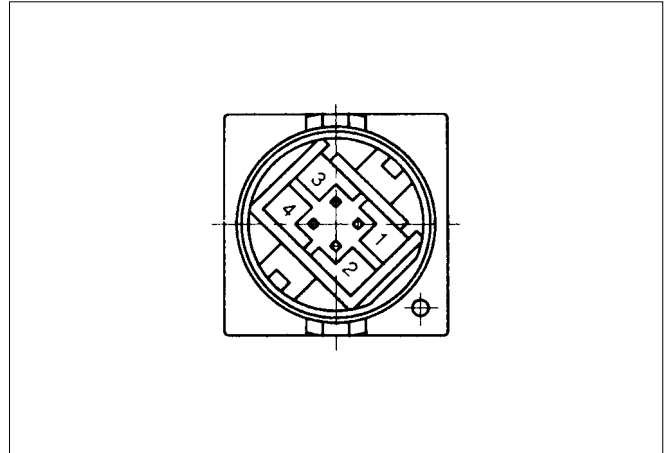
4. Pull out pushbutton/signal lamp with cable

Dimensional drawing

With quick connector and flat-ribbon cable

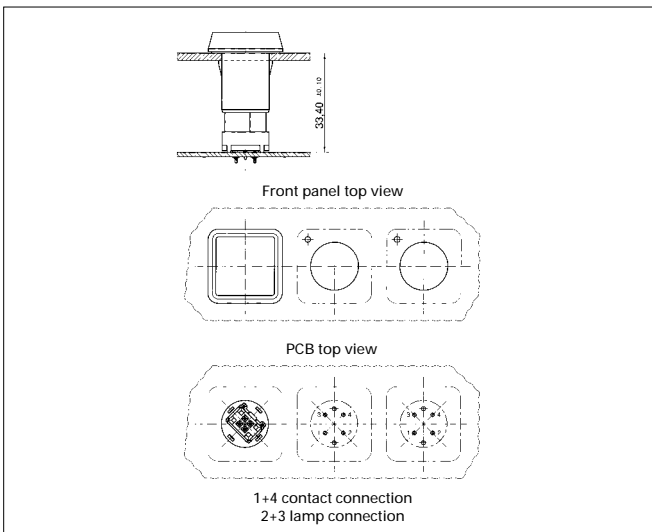


Connection diagram (PCB top view)

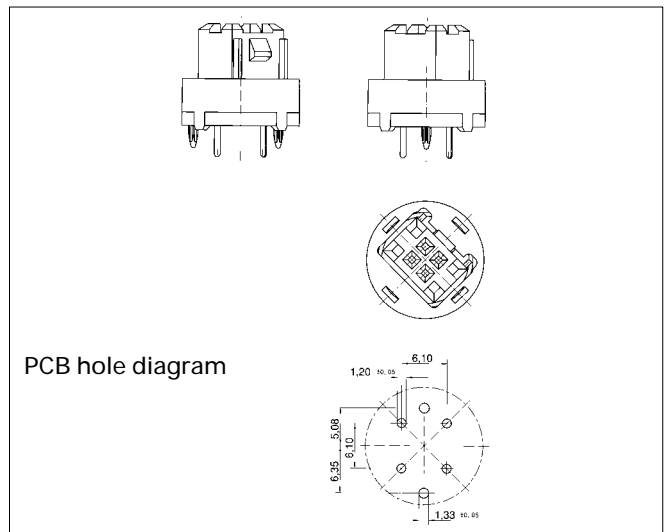


1 + 4 = pushbutton connection 2 + 3 = lamp connection

With plug-in socket



Plug-in socket for PCB



PCB hole diagram