

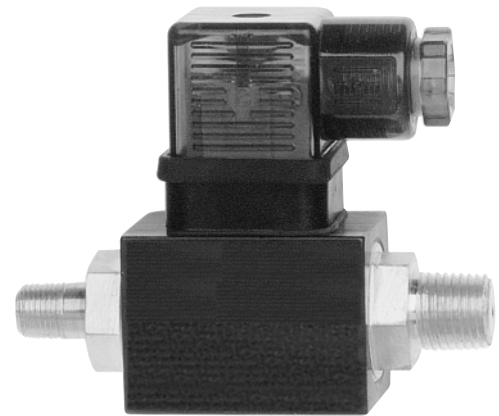
## PS-D Series – General Purpose Differential Pressure Switch

- ▶ Compact Range
- ▶ Can Be Mounted in Tight Spaces
- ▶ Rugged Housing

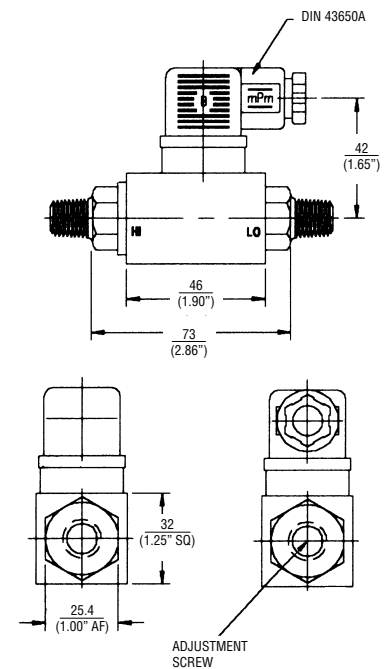
The PS-D Series' compact design enables them to be mounted in tight spaces. The switches use a piston/diaphragm design which incorporates the high proof pressure of piston technology with the sensitivity of diaphragm design. The PS-D series switches may be field or factory adjusted via a hex head screw inside the low port, protecting them against unauthorized tampering.

### Specifications

<b>Process/Ambient Temperature</b>	-40° to +80°C (-40° to +176°F)
<b>Switch</b>	5 Amp SPDT@120/240 VAC and 12/24 VDC (>1 million cycles)
<b>Approvals</b>	Microswitch is UL and CSA recognised
<b>Repeatability</b>	2% of highest set point @ 68°F (20°C)
<b>Wetted Parts</b>	
<b>Diaphragm</b>	Buna-N (optional EPDM or Viton®)
<b>Fitting</b>	Zinc-plated steel (low port: additional wetted parts: Stainless Steel spring and adjustment screw)
<b>Electrical Termination</b>	DIN 43650A (optional DIN with LED, 1/2" conduit, cable clamp)
<b>Enclosure</b>	IP65 (Nema 4) Aluminum (AL 2024) Anodized black
<b>Pressure Port</b>	G 1/4 or 1/4" NPT male
<b>Weight, Approximate:</b>	.75 lbs. (0.35 kg)



### Dimensions mm (ins)



### How to Order

Use the **Bold** characters from the chart below to construct a product code.

<b>SELECT</b>	<b>PS</b>	<b>-D</b>	<b>-1</b>	<b>-4M/4M</b>	<b>-HC</b>	<b>-X</b>
1. <b>-D</b> Series						
2. Insert Range Code From Table Below						
3. Pressure Port						
4. Electrical Termination						
5. Options						

-1 Viton® diaphragm; -2 EPDM diaphragm; -7 gold electrical contacts; -B oxygen cleaned; -11A DIN with LED 12 VDC; -11B DIN with LED 245VDC; -11C DIN with LED 120 VAC; -11D Din with LED 240 VAC

Note: (+) For factory set units indicate setting and units followed by **-R** for rising or **-F** for falling  
**Example:** PS-D-10psi-R-4M/4M-H (10psi, Rising, 1/4" NPT, Normally Open Switch)

Range Code	Adjustable Range Max.	Dead Band Max.	Static Pressure Max.	Proof Pressure
-1	0.7-1.7 bar 10-25 psi	50% of set point	35 bar 500 psi	35 bar 500psi
-2	1.3-3 bar 20-45 psi	50% of set point	35 bar 500 psi	35 bar 500psi