

## Large Size - Alloys

When a Switch won't fit in the tank, use a non-intrusive Bottle Type

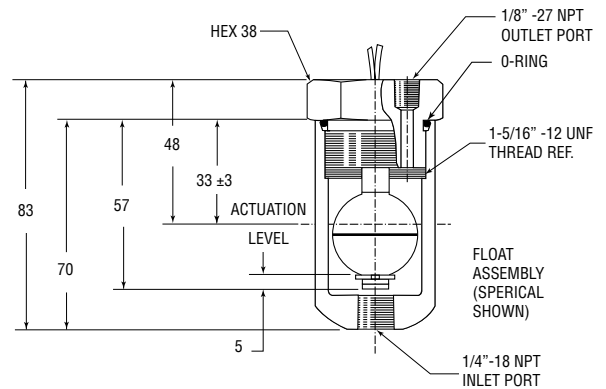
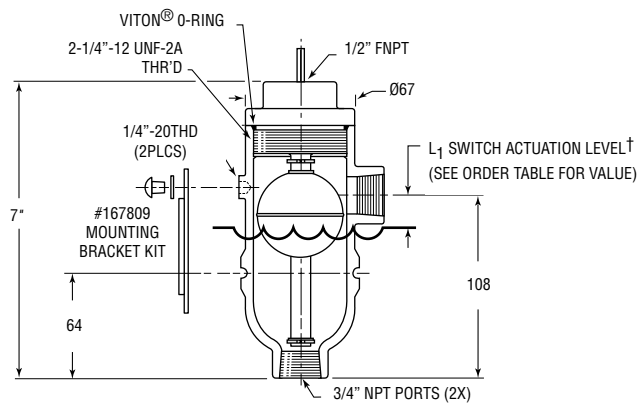
Bottle type level switches are ideal for large or small tanks or where access to the inside is impractical or impossible. These units mount completely outside of the tank, at the level actuation point.



LS-800-5



LS-159000



### Specifications

	LS-800-5		LS-159000	
<b>Materials, Housing</b>	Brass	S Steel	Alumium	Alumium
<b>Stem</b>	Brass	S Steel	Brass	Brass
<b>Float</b>	S Steel	S Steel	S Steel	Buna N
<b>Operating pressure</b>	35 bar	50 bar	27 bar	17 bar
<b>Temperature</b>	-40 °C to +150°C	-40 °C to +150°C	-40°C to +150°C	-40°C to 120°C Oil -40°C to 80°C Water
<b>Actuation Level at a density of 1</b>	L <sub>1</sub> =19mm (mid port)	L <sub>1</sub> =11mm (mid port)	48mm from top of unit	48mm from top of unit
<b>Min. specific gravity of the liquid</b>	0.75	0.75	0.75	0.50
<b>Type of reed switch</b>	SPST 20 VA	SPST 20 VA	SPST 20 VA	SPST 20 VA
<b>Electrical connection* approx 0.6m</b>	Fly Lead: AWG 18 Polymeric	Fly Lead: AWG 18 Polymeric	Fly Lead: AWG 18 Polymeric	Fly Lead: AWG 18 Polymeric
<b>Mounting thread</b>	3/4" NPT	3/4" NPT	1/4" NPT and 1/8" NPT	1/4" NPT and 1/8" NPT
<b>Protection rating</b>	IP64	IP64	IP64	IP64
<b>Weight approx.</b>	1.65kg		400g	

\* K6 J.box option for LS-800-5, consult Sales Office

### Order data

	LS-800-5		LS-159000	
	172625 NO/NC	172635 NO/NC	144080 NO/NC	160405 NO/NC

### Meyer Industrie-Electronic GmbH - MEYLE

Carl-Bosch-Straße 8  
49525 Lengerich/Germany  
Internet: www.meyle.de

Tel.: (+49) 0 54 81/93 85-0  
Fax: (+49) 0 54 81/93 85-12  
E-Mail: sales@meyle.de