

## FS-10798E 2.0 - 75 (l/min) variable adjustment of set points

These externally adjustable switches are ideal for protecting machine tools from coolant flow failure, for protecting bearings from loss of lubricant or to assure proper air flow. They offer an infinite number of flow settings at pressures up to 68 bar, with low pressure drop and precise repeatability.

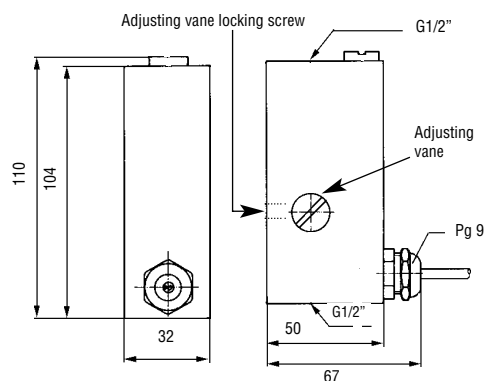
The adjusting vane is easily field adjustable using an ordinary flat-bladed screwdriver. The adjustment is set-screw-locked for tamper-free operation after field calibration.

### Specifications (All pressure data related to water at +20°C)

|  |  |
|--|--|
| <b>Max. flow</b>   | 85 l/min   |
| <b>Max. operating pressure</b>                             | 68 bar   |
| <b>Proof pressure</b>                                      | 100 bar  |
| <b>Temperature range</b>                                   | - with Polysulfone piston (standard), with cable, with plug connector: -20 °C...+80 °C<br>- with metal piston and terminal box: -20 °C...+150 °C |
| <b>Adjustment range</b>                                    | 2...75 (l/min)   |
| <b>Switching function (related to increasing flow)</b>     | -NC, NO, SPDT  |
| <b>Mounting position</b>                                   | any position   |
| <b>Factory mounting position with set point adjustment</b> | horizontal, electrical connection up   |
| <b>Repeatability</b>                                       | ± 1%   |
| <b>Adjustment accuracy</b>                                 | ±10%   |
| <b>Hysteresis</b>  | max. 15%   |
| <b>Mounting</b>  | G 1/2"   |
| <b>Electrical connections</b>                              | - cable: PVC, 2 or 3 x 0.34 mm <sup>2</sup> (length: approx. 1 m)<br>- plug connector per DIN 43650<br>- terminal box                            |
| <b>Enclosure</b>   | - IP 65  |
| <b>Electrical data contact rating</b>                      | - SPST (NC/NO): 100 VA, 3 A, 220 V~<br>- SPDT 20 VA, 0.5 A, 250 V~   |
| <b>Weight</b>  | 1.2 kg   |



### Dimensions (in mm)



Housing: Brass or Stainless Steel  
 Piston: Polysulfone\* or Stainless Steel  
 Spring: Stainless Steel  
 O-Ring: Viton®

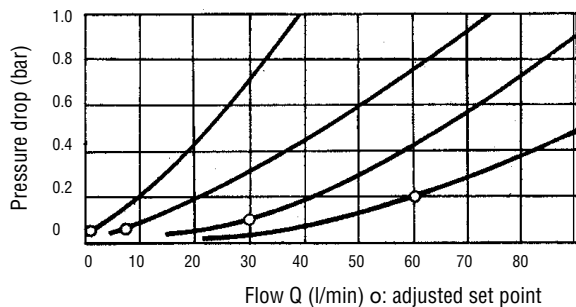
\* option Brass

### Order numbers

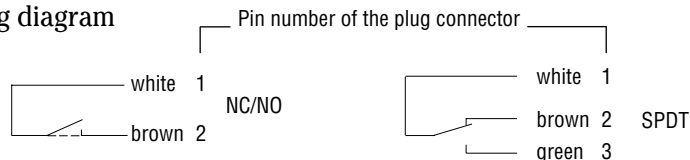
|                     |                                    |   |       |
|---------------------|------------------------------------|---|-------|
| Type code:          | <b>FS-10798E-.....-.....-.....</b> |   |       |
| Housing material:   | Brass                              | M | _____ |
|                     | Stainless Steel                    | C |       |
| Electr. connection: | Cable                              | P | _____ |
|                     | Terminal box                       | K |       |
|                     | Plug connector                     | S |       |
| Type of contact:    | NO                                 | S | _____ |
|                     | NC                                 | O |       |
|                     | SPDT                               | W |       |

Note: For mineral oil applications please order brass piston instead of polysulfone piston, add -GE169 to type number e.g. FS-10798E-M-P-W-GE169

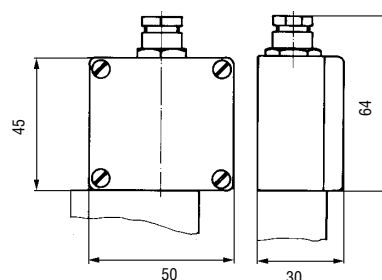
### Pressure drop diagram (at min. set point adjustment)



### Wiring diagram



### Terminal box



### Plug connector

