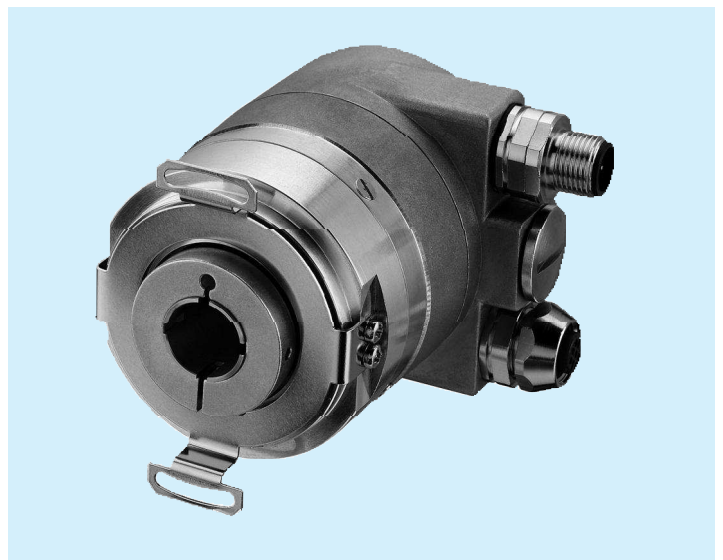
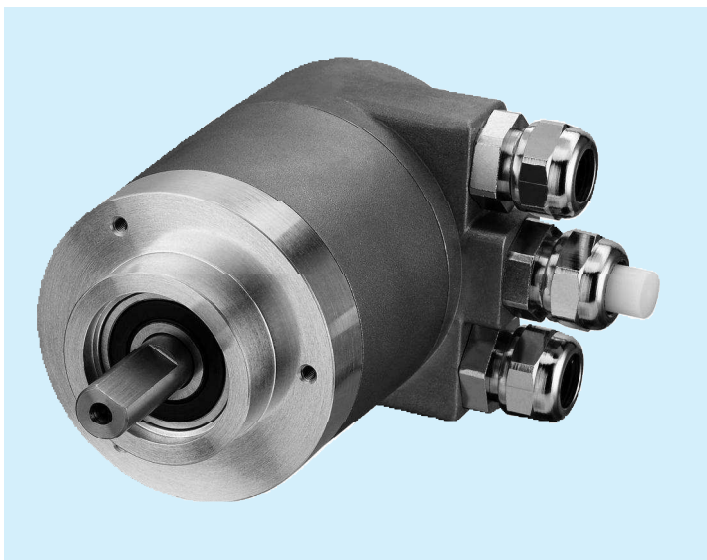
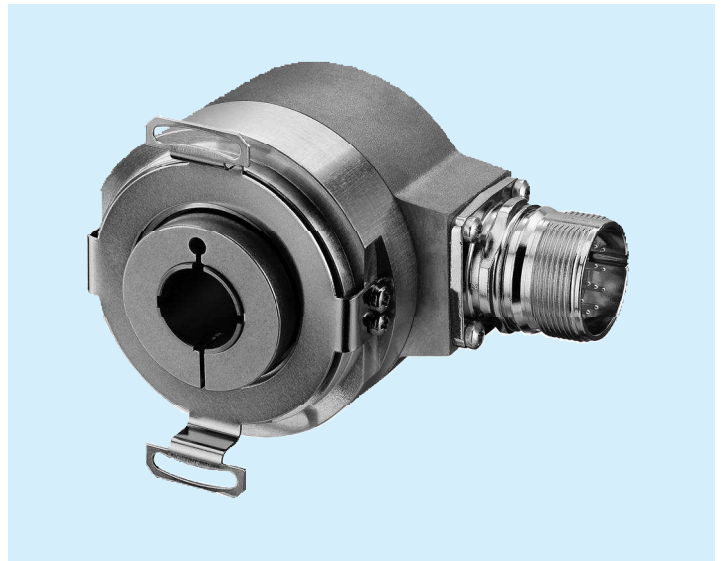
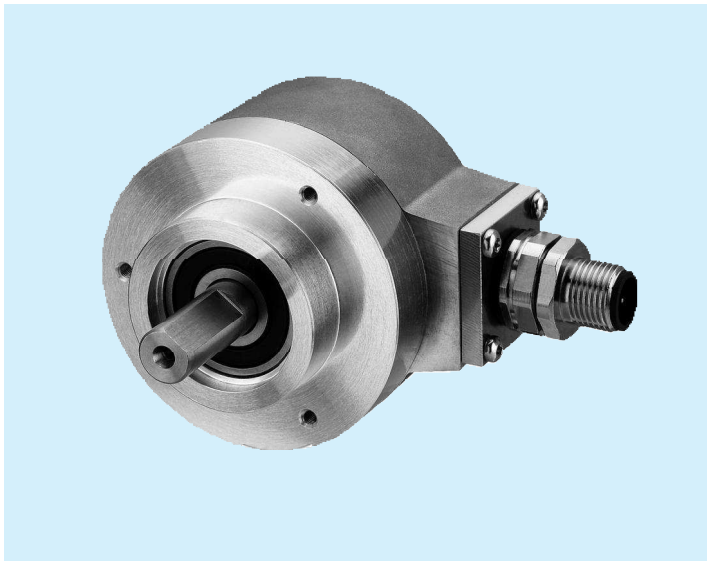


- Absolute single- and multiturn encoders with SSI, Profibus, CANopen and CANlift outputs
- Shaft and hollow shaft versions with 58 mm diameter
- Resistant diecast housing and protection up to IP 67
- Stainless steel shaft
- Applications: sensing of:
 - Angles
 - Distances
 - Tracks
 - Inclinations
 - Differences between two or more axes

- Compact and heavy-duty industrial types
- Shaft Ø 6 or 10 mm
- Blind/hollow shaft Ø 10, 12, 14, 15 mm
- Absolutely safe operation even in strong magnetic fields with optical multiturn gear
- Interface:
 - SSI (RS485)
 - BiSS
 - Profibus DP 2.0 (Profile V1.1, Class 1+2)
 - CANopen/CANlift 2.0B (Profile D5 40683.1)
- New technology absolute encoder



SSI

BISS

CANopen

PROFI[®]
PROCESS FIELD BUS
BUS

MEYLE[®]

Meyer Industrie-Electronic GmbH - MEYLE
 Carl-Bosch-Straße 8 Tel.: +49 54 81-93 85-0 Internet: www.mevle.de
 49525 Lenderich/Germany Fax: +49 54 81-93 85-12 E-Mail: sales@mevle.de

Electrical Data:	SSI, BiSS	Profibus	CANopen/CANlift
Supply voltage	5 VDC, $\pm 5\%$ or 10–30 VDC	10–30 VDC	10–30 VDC
Intrinsic current consumption (without load)	ST 5 VDC: max. 70 mA, 24 VDC: max. 20 mA MT 5 VDC: max. 75 mA, 24 VDC: max. 25 mA	24 VDC: max. 85 mA, 24 VDC: max. 90 mA	24 VDC: max. 60 mA, 24 VDC: max. 65 mA
Interface	Standard SSI or BiSS	Specification according Profibus DP2.0 Standard (DIN 19245 part 3) RS485 driver galvanically isolated	CAN high speed according ISO 11898, Basic- and full CAN CAN specification 2.0B
Protocol		Profibus encoder profile V1.1 Class 1 and Class 2	CAN open profile DS406 V3.1
Lines/Drivers	RS485 Transceiver Type		
Output code	SSI: Binary or Gray, BiSS: Binary	Binary	Binary
Singleturn resolution	10–17 Bit	13 Bit, scaleable up to 16 Bit	13 Bit, scaleable up to 16 Bit
Multiturn resolution	12 Bit	12 Bit	12 Bit
Incremental signals, optional	Sine-cosine 1 Vpp		
Number of increments	2048		
3 dB limitina frequency	400 kHz		
Connection	Cable or flange-connector	Bus cover, cable or flange connector	Bus cover, cable or flange connector
Parameterization	Resolution, code type, sense of rotation, warning, alarm	According to Profibus Profile	According to CANopen, CANlift profile
Alarm output	open collector: optical sensor path fault (code error, LED error), low voltage and over temperature		
Control input	Direction		
Set key	Zero or defined value (option)	Zero or defined value (option)	Zero or defined value (option)
Status LED	Red = alarm (option)	Green, red, yellow diagnostic LED	Green, red, yellow diagnostic LED

Mechanical Data:	SSI, BiSS	Profibus	CANopen/CANlift
Housing diameter	58 mm	58 mm/60 mm	58 mm/60 mm
Protection, shaft input	IP 65 or IP 67	IP 65 or IP 67	IP 65 or IP 67
IP Protection class, housing	IP 67	IP 67	IP 67
Flange types	Synchro-flange, clampina flange, spring tether	Synchro-flange, clampina flange, spring tether	Synchro-flange, clampina flange, spring tether
Shaft diameter	Solid shaft: 6, 10 mm; Hollow shaft: 10, 12, 14 mm; Blind shaft: 15 mm	Solid shaft: 6, 10 mm; Blind shaft: 10, 12, 14, 15 mm	Solid shaft: 6, 10 mm; Blind shaft: 10, 12, 14, 15 mm
Max. speed at 70 °C	BAxS58: continuous 10.000 min ⁻¹ short-term 12.000 min ⁻¹ BAxH58: continuous 6.000 min ⁻¹ short-term 9.000 min ⁻¹	BAxS58: continuous 7.000 min ⁻¹ short-term 9.000 min ⁻¹ BAxH58: continuous 7.000 min ⁻¹ short-term 9.000 min ⁻¹	BAxS58: continuous 7.000 min ⁻¹ short-term 9.000 min ⁻¹ BAxH58: continuous 7.000 min ⁻¹ short-term 9.000 min ⁻¹
Starting Torque	< 0.05 Nm (depending on version)	< 0.05 Nm (depending on version)	< 0.05 Nm (depending on version)
Moment of inertia, rotor	3 ... 7.5 x 10 ⁻⁶ kam ²	3 ... 7.5 x 10 ⁻⁶ kam ²	3 ... 7.5 x 10 ⁻⁶ kam ²
Absolute max. shaft load	axial 40 N, radial 80 N	axial 40 N, radial 80 N	axial 40 N, radial 80 N
Shock resistance IEC 68-2-27	2500 m/s ² (6 ms)	2500 m/s ² (6 ms)	BASx58: 2500 m/s ² (6 ms) BAMx58: 1000 m/s ² (6 ms)
Vibration resistance IEC 68-2-6	100 m/s ² (55 ... 2.000 Hz)	100 m/s ² (55 ... 2.000 Hz)	100 m/s ² (55 ... 2.000 Hz)
Working temperature	-40 ... +90 °C (cable versions -30 ... +75 °C)	-40 ... +80 °C (cable versions -30 ... +75 °C)	-40 ... +80 °C (cable versions -30 ... +75 °C)
Weight, approx. (ST/MT)	350 a/450 a	530 a/570 a	530 a/570 a

ABSOLUTE SHAFT ENCODER

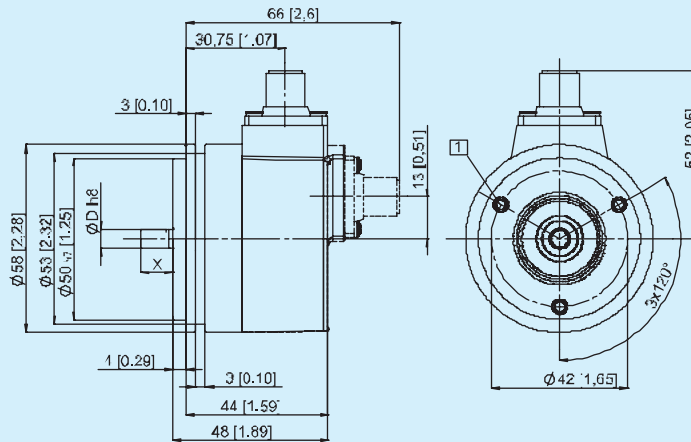
BASS58

SINGLETURN. SSI. BiSS

Dimensioned drawing

Synchro flange

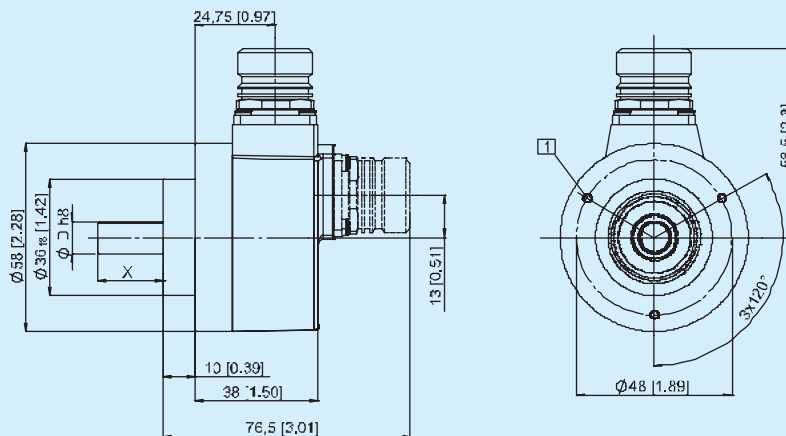
Ø 58 mm. M 12. M 23 connector. cable versions
Flange type S5 and S7 (Drawing with M 12 connector)



1 3xM4. 6 [0.24] deep

Clamping flange

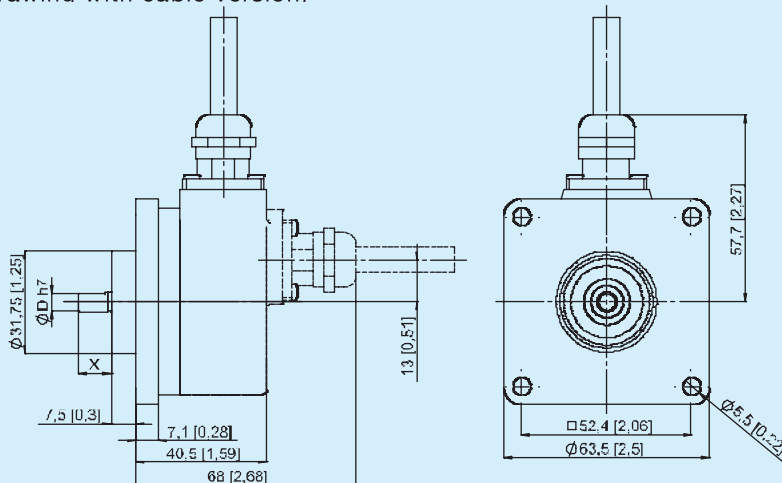
Ø 58 mm. M 12. M 23 connector. cable versions
Flange type K5 and K7 (Drawing with M 23 connector)



1 3xM3. 6 [0.24] deep

Square flange

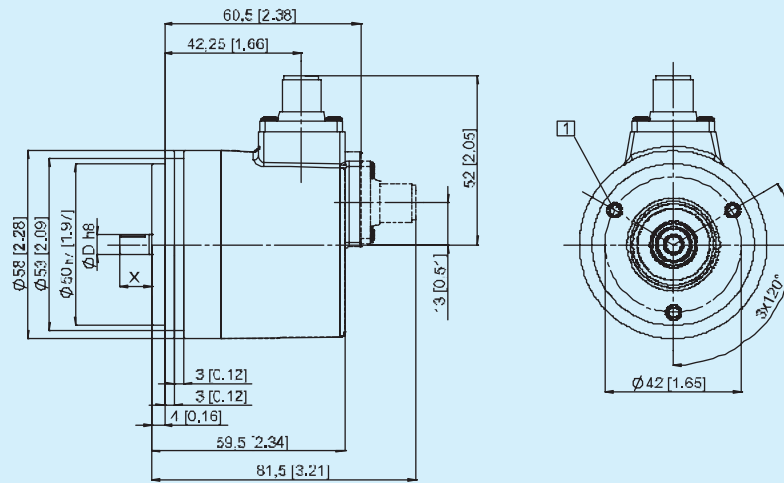
63.5 mm □. M12. M 23 connector. cable versions
Flange type Q5 and Q7 (Drawing with cable version)



Dimensioned drawing

Synchro flange

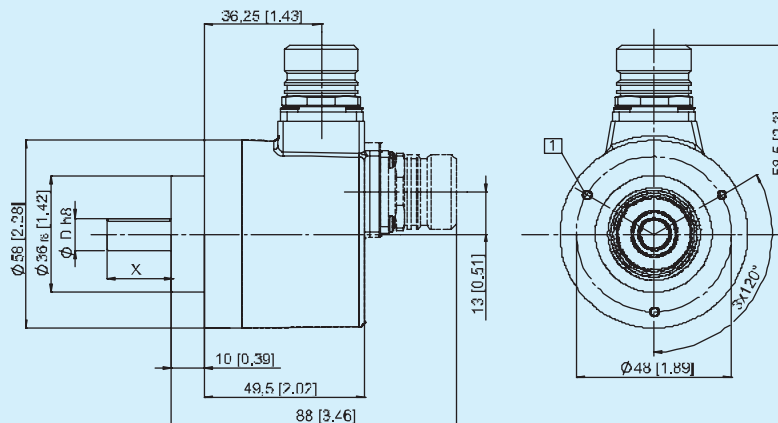
Ø 58 mm. M 12. M 23 connector. cable versions
Flange type S5 and S7 (Drawing with M 12 connector)



1 3xM4, 6 [0.24] deep

Clamping flange

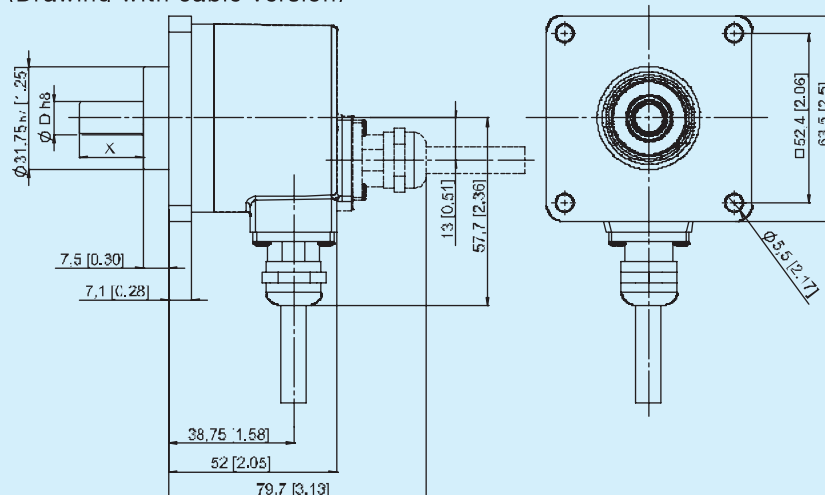
Ø 58 mm. M 12. M 23 connector. cable versions
Flange type K5 and K7 (Drawing with M 23 connector)



1 3xM3, 6 [0.24] deep

Square flange

63.5 mm □. M 12. M 23 connector. cable versions
Flange type Q5 and Q7 (Drawing with cable version)



ABSOLUTE SHAFT ENCODER

BASS58

SINGLETURN. Profibus DP. CANopen. CANlift

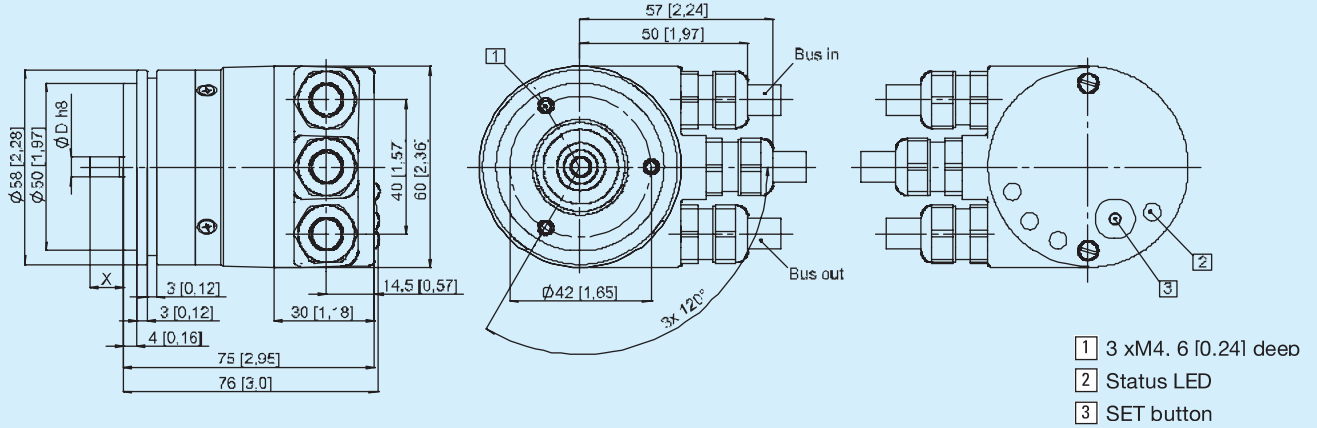
With removable bus terminal cover

Dimensioned drawing

Synchro flange

Ø 58 mm

Flange type S5 and S7 (Drawing with cable version)

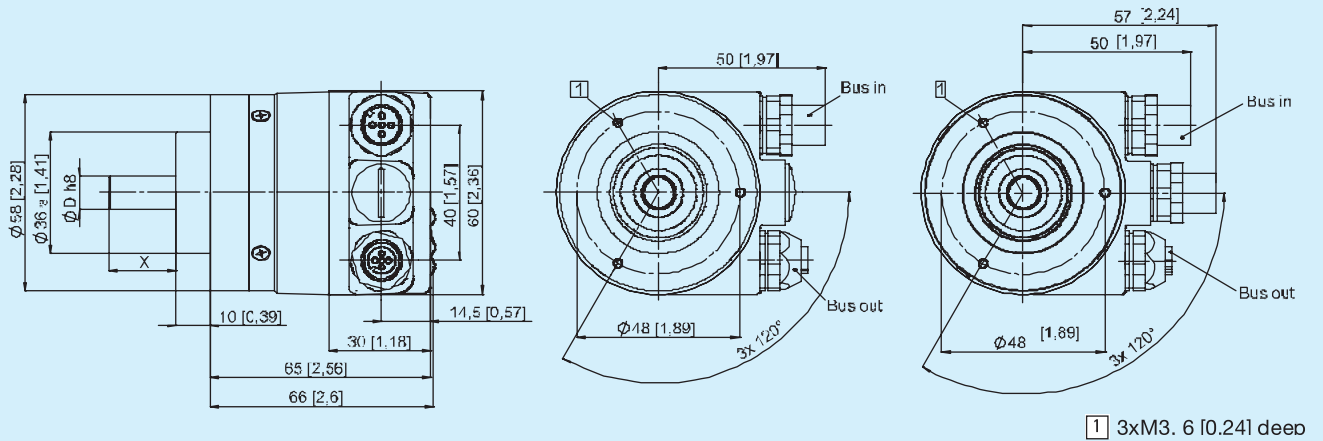


Clamping flange

Ø 58 mm

Flange type K5 and K7 (Drawing with 2 x M12 connector)

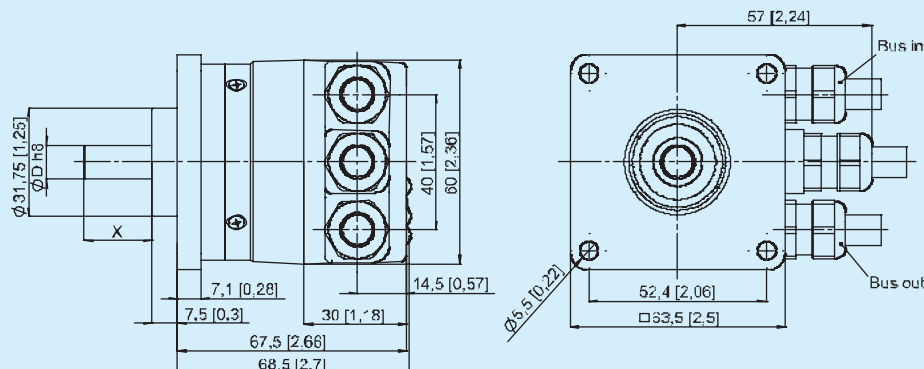
(Drawing with 3 x M12 connector)



Square flange

63.5 mm □

Flange type Q5 and Q7 (Drawing with cable version)



ABSOLUTE SHAFT ENCODER

BASS58

SINGLETURN. CANopen

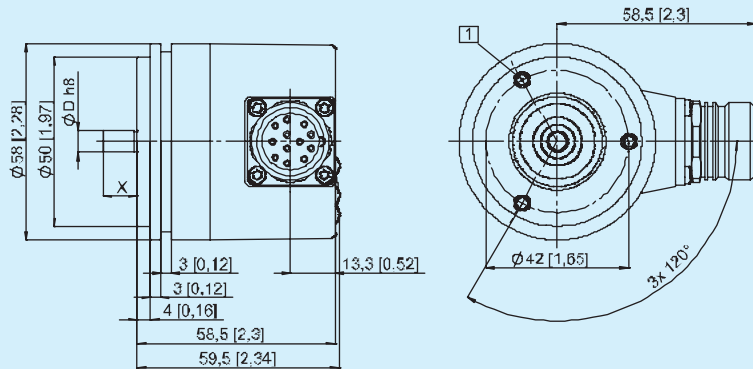
With fixed connection

Dimensioned drawing

Synchro flange

Ø 58 mm

Flange type S5 and S7 (Drawing with M 23 connector)

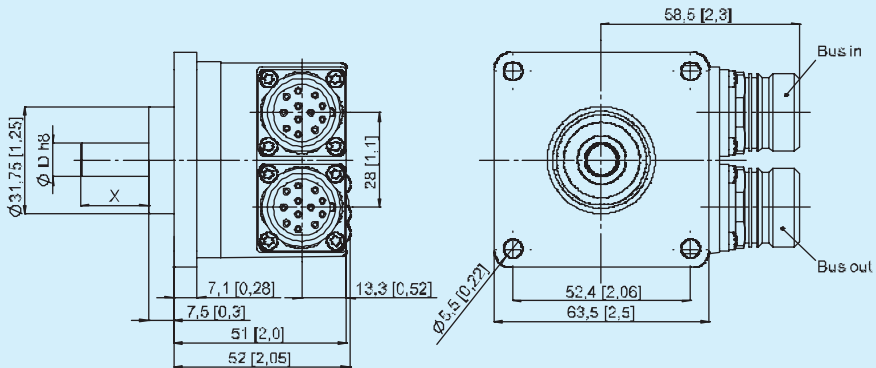


1 3xM4. 6 [0,24] deep

Square flange

63.5 mm □

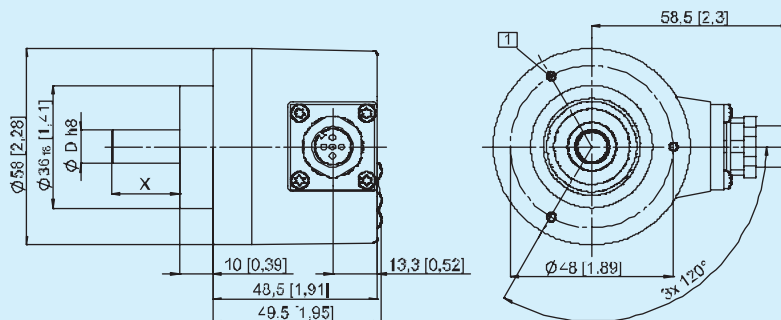
Flange type Q5 and Q7 (Drawing with 2 x M 23 connector)



Clamping flange

Ø 58 mm

Flange type K5 and K7 (Drawing with 1 x M12 connector)



1 3xM3. 6 [0,24] deep



Meyer Industrie-Electronic GmbH - MEYLE

Carl-Bosch-Straße 8 Tel.: +49 54 81-93 85-0 Internet: www.mevle.de
49525 Lengerich/Germany Fax: +49 54 81-93 85-12 E-Mail: sales@mevle.de

ABSOLUTE SHAFT ENCODER

BASS58

SINGLETURN. CANopen

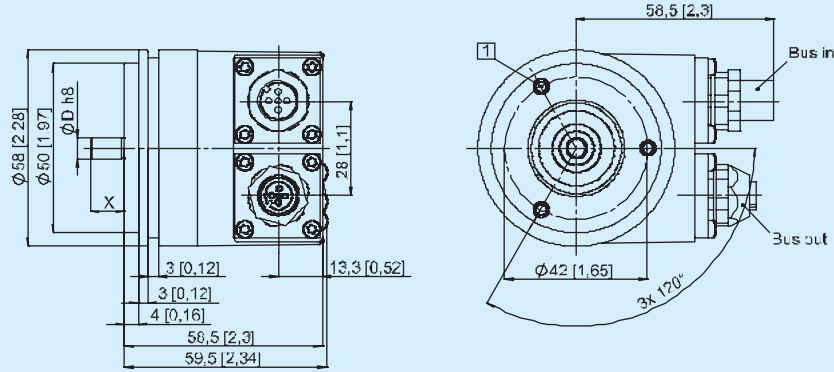
With fixed connection

Dimensioned drawing

Synchro flange

Ø 58 mm

Flange type S5 and S7 (Drawing with 2 x M 12 connector)

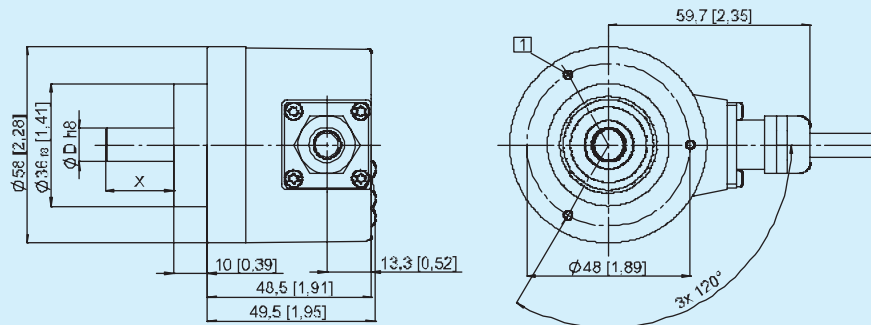


1 3 xM4. 6 [0,24] deep

Clamping flange

Ø 58 mm

Flange type K5 and K7 (Drawing with cable version)



1 3xM3. 6 [0,24] deep

ABSOLUTE SHAFT ENCODER

BAMS58

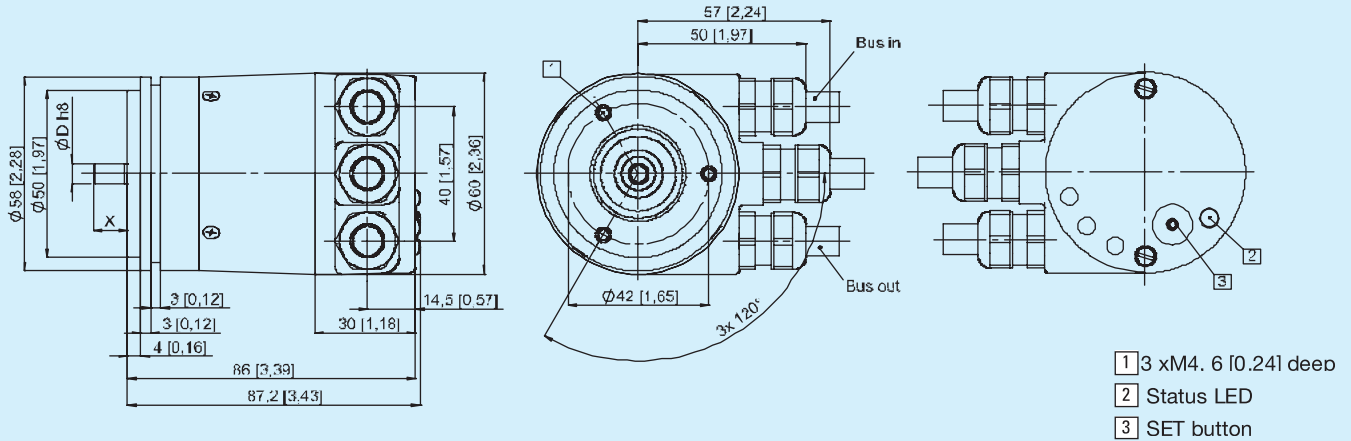
MULTITURN. Profibus DP. CANopen. CANlift
With removable bus terminal cover

Dimensioned drawing

Synchro flange

Ø 58 mm

Flange type S5 and S7 (Drawing with cable version)

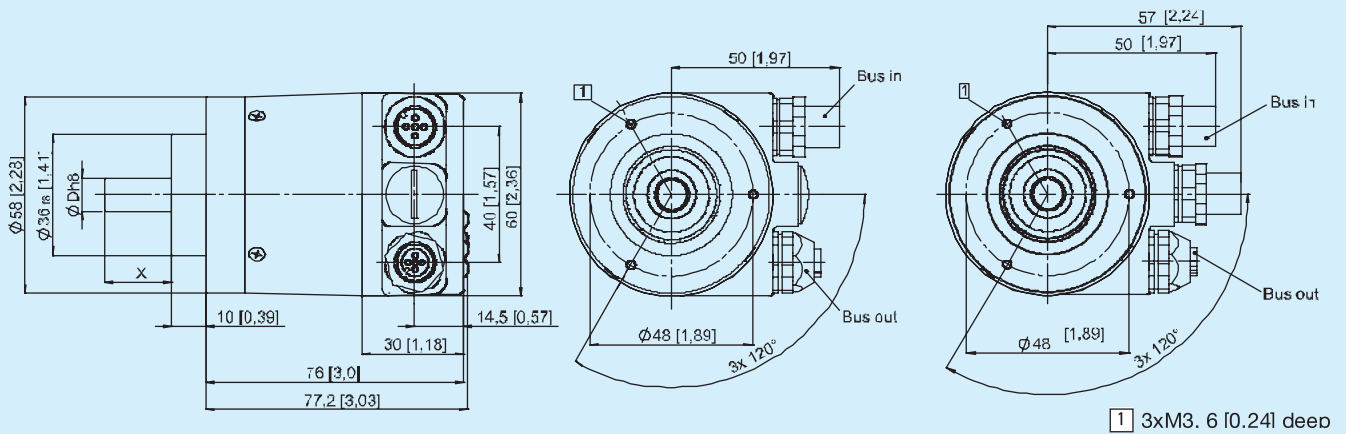


Clamping flange

Ø 58 mm

Flange type K5 and K7 (Drawing with 2 x M 12 connector)

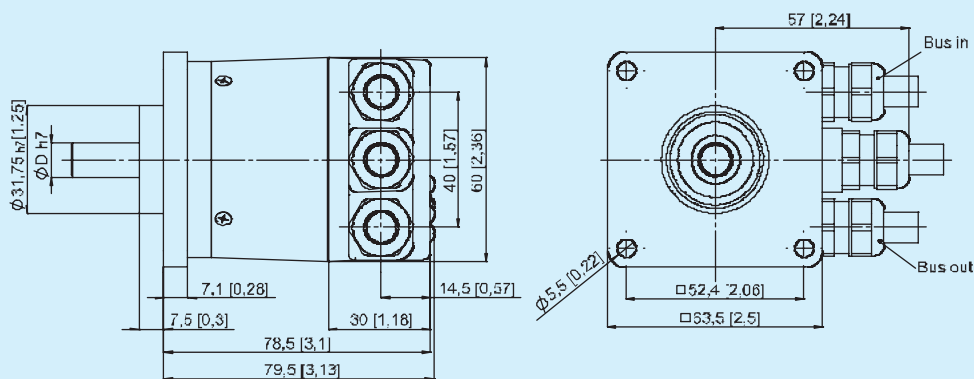
(Drawing with 3 x M 12 connector)



Square flange

63.5 mm □

Flange type Q5 and Q7 (Drawing with cable version)



ABSOLUTE SHAFT ENCODER

BAMS58

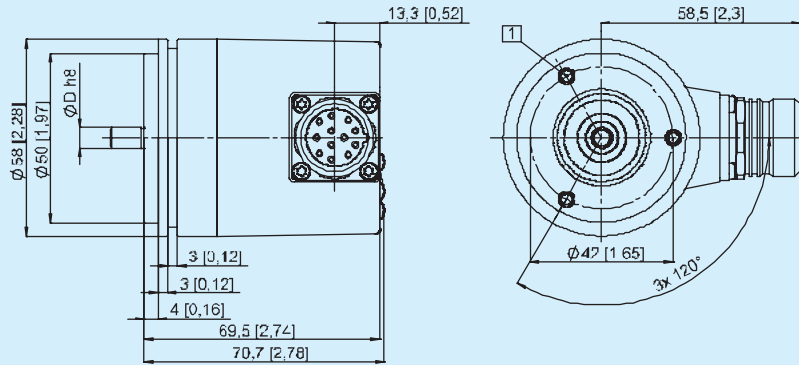
MULTITURN. CANopen. CANlift
With fixed connection

Dimensioned drawing

Synchro flange

Ø 58 mm

Flange type S5 and S7 (Drawing with M 23 connector)

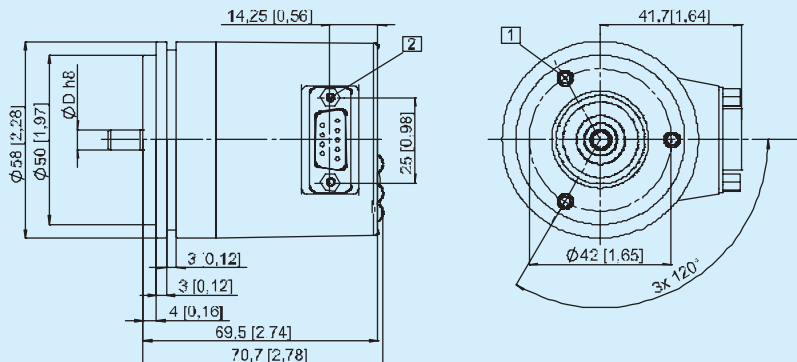


1 3 x M4, 6 [0,24] tief
deep

Synchro flange

Ø 58 mm

Flange type S5 and S7 (Drawing with D-SUB connector)

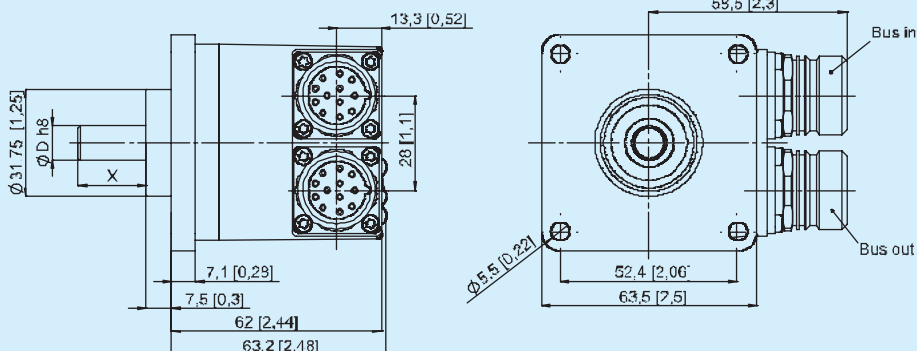


1 3 x M4, 6 [0,24] tief
2 2 x 4/40 UNC:
3,0 [0,12] tief

Square flange

63.5 mm □

Flange type Q5 and Q7 (Drawing with 2 x M 23 connector)



Meyer Industrie-Electronic GmbH - MEYLE
Carl-Bosch-Straße 8 Tel.: +49 54 81-93 85-0 Internet: www.mevle.de
49525 Leneerich/Germany Fax: +49 54 81-93 85-12 E-Mail: sales@mevle.de

ABSOLUTE SHAFT ENCODER

BAMS58

MULTITURN. CANopen. CANlift

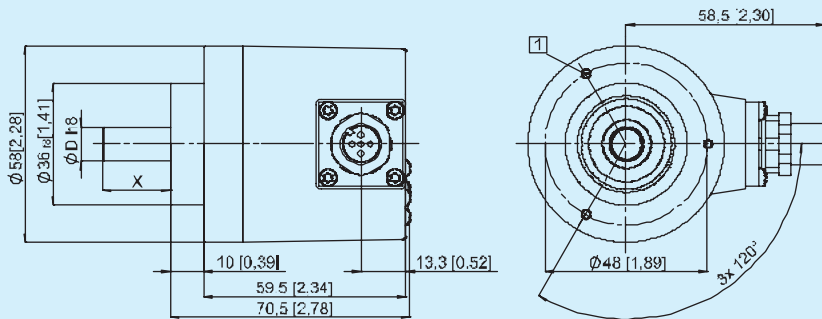
With fixed connection

Dimensioned drawing

Clamping flange

Ø 58 mm

Flange type K5 and K7 (Drawing with 1 x M 12 connector)

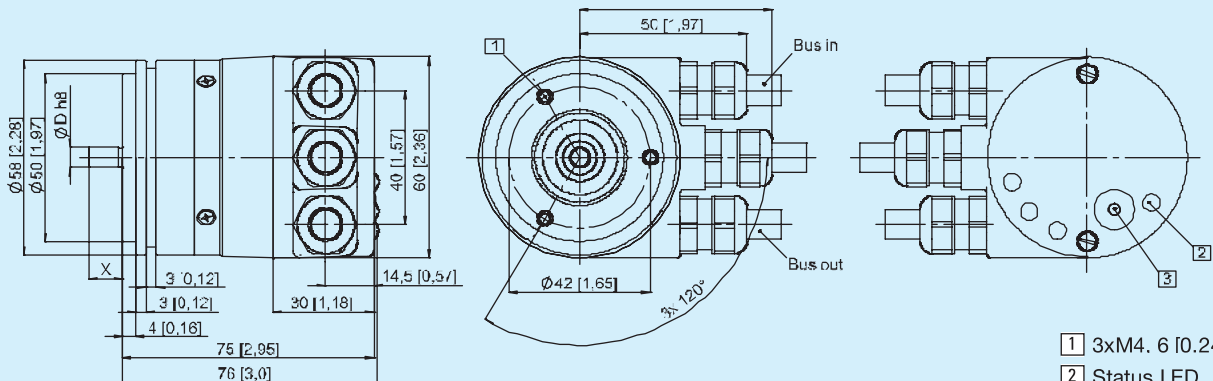


1 3xM3. 6 [0.24] deep

Synchro flange

Ø 58 mm

Flange type S5 and S7 (Drawing with 2 x M 12 connector)



1 3xM4. 6 [0.24] deep

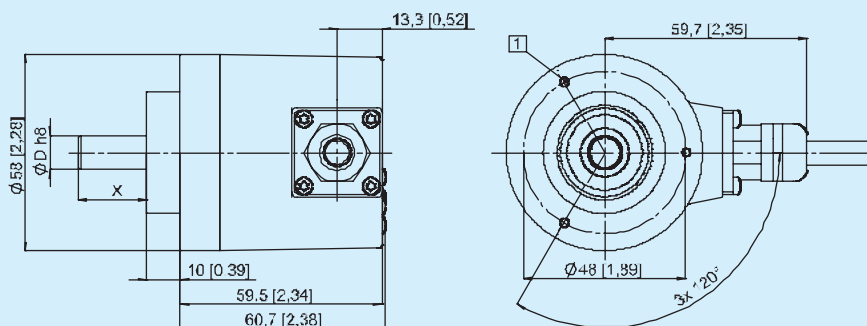
2 Status LED

3 SET button

Clamping flange

Ø 58 mm

Flange type K5 and K7 (Drawing with cable version)



1 3xM3. 6 [0.24] deep

ABSOLUTE HOLLOW SHAFT ENCODER

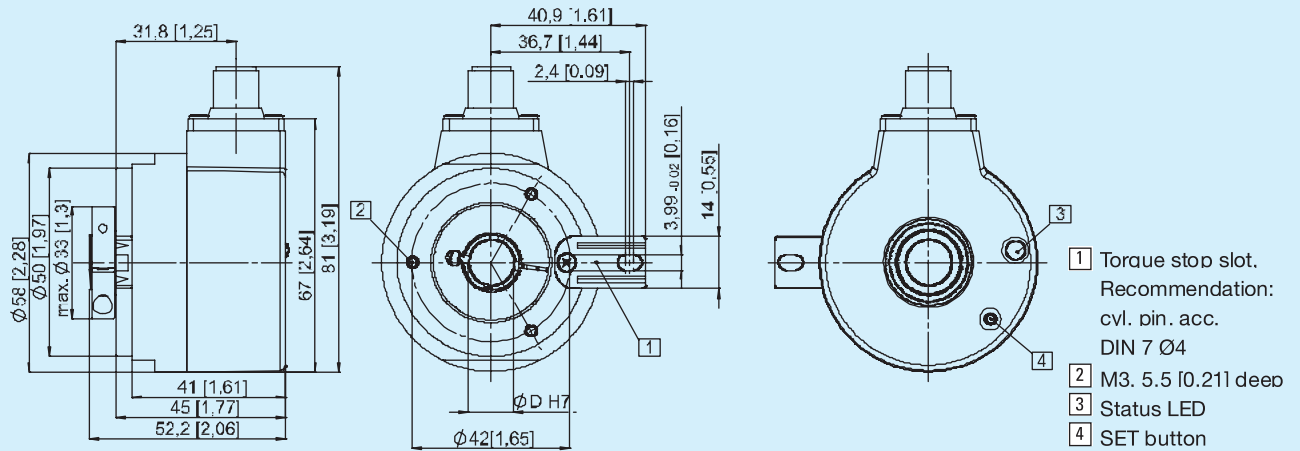
BASH58

SINGLETURN. SSI. BiSS

Dimensioned drawing

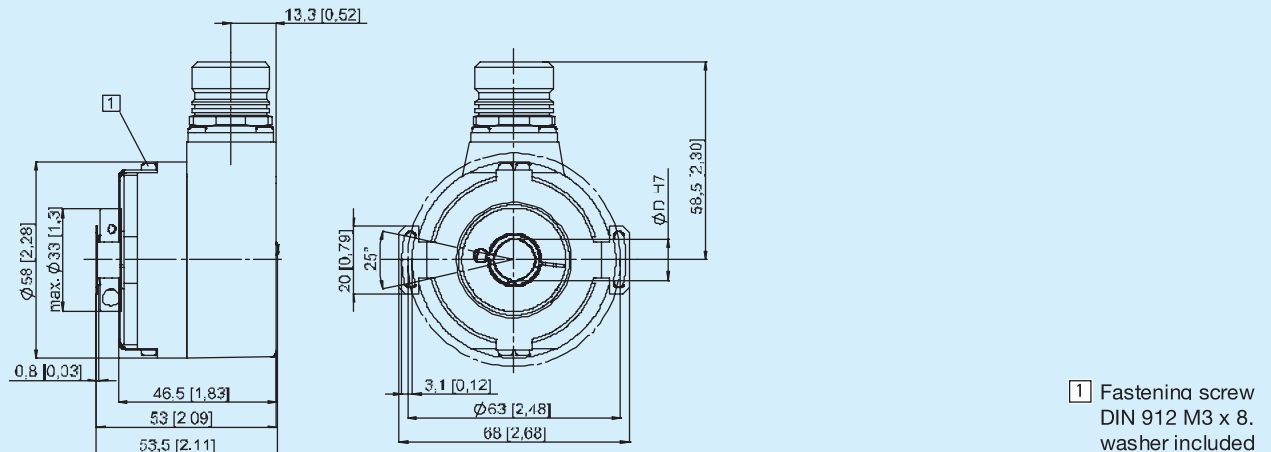
Flange with long torque stop

Ø 58 mm. M 12. M 23 connector. cable versions
Flange type H5 and H7 (Drawing with M 12 connector)



Flange with stator coupling

Ø 58 mm. M 12. M 23 connector. cable versions
Flange type O5 and O7. pitch circle Ø 63 mm (Drawing with M 23 connector)



Flange with stator coupling

Ø 58 mm. M 12. M 23 connector. cable versions
Flange type N5 and N7. pitch circle Ø 65 mm (Drawing with cable version)

