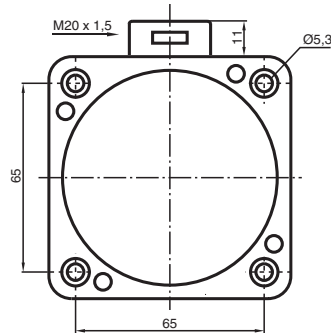
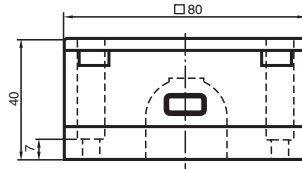


Inductive proximity switch

SIQ65-0/20

Inductive analog transmitter
Output 0 ... 20 mA
Not embeddable mountable



Switching element function
Installation
Measurement range
Operating voltage U_B
Output signal
Temperature drift
Repeat accuracy
Operating voltage
Rate of current rise
0 ... 20 mA
20 ... 0 mA
Output ripple
Recovery time acc. EN 50319
No-load supply current I_0
Load resistor
Adjustment tolerance zero point
EMC in accordance with
Ambient temperature
Connection type
Core cross-section
Housing material
Sensing face
Protection degree

Analogue current output
not embeddable
15 ... 40 mm
15 ... 30 V
0 ... 20 mA
 $\pm 1\%/_{00}/K$ v.E.
0 ... 6 μm
 $\leq 0.5\%$
 ≤ 12 A/s
 $\leq 5,1$ A/s
 ± 30 μA
1 ... 10 ms typ. 5 ms
 ≤ 8 mA
0 ... 500 Ohm
 $\pm 5\%$ v.E.
EN 50319
-10 ... 70 °C (263 ... 343 K)
terminal compartment
up to 2.5 mm²
PBT
PBT
IP67

Connection_type:

I3

