

OVERSPEED SWITCH-ENCODER COMBINATIONS

AOSS90

- Heavy duty centrifugal overspeed switch
- Switching speed from 800 to 4000 rpm
- Multiple mounting possibility with Axxx90 and FxH90 encoders
- No external power supply required
- IP 66 Protection

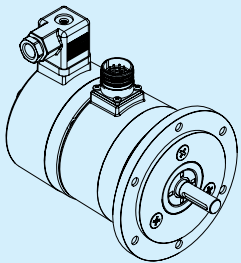
- Temperature range from -30 to +130 °C
- Connector and terminal box version
- Applications: steel and paper mills, crane and wood industry, etc.



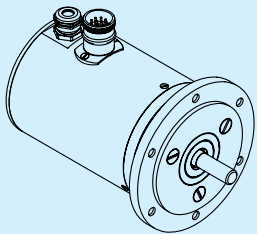
AOSS9012 + AINS9012
Double mounting

Overspeed switch - encoder combinations

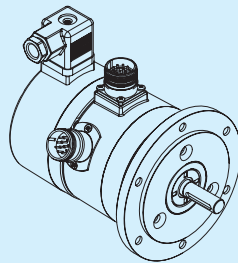
AOSS90 + AINS90xx



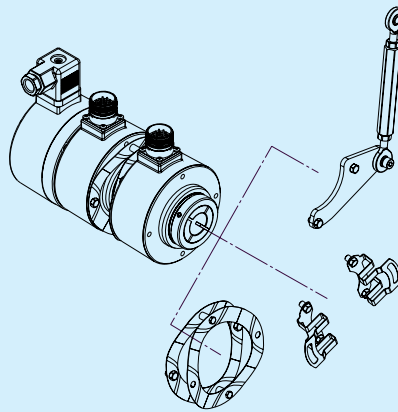
AOSS90 + AINS90xx
in 1 housing



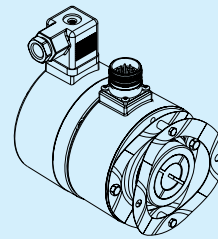
AOSS90 + AINS90xx with 2 incremental outputs



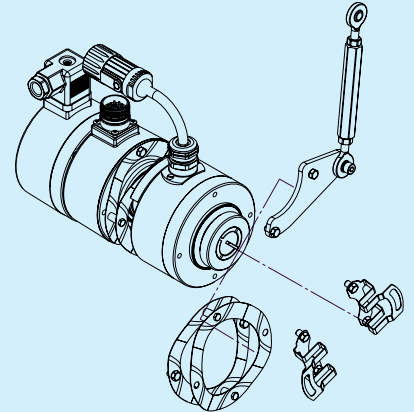
AOSS90 + AINH90xx + AINH90xx with 2 incremental outputs



AOSS90 + AINH90xx with meflex coupling

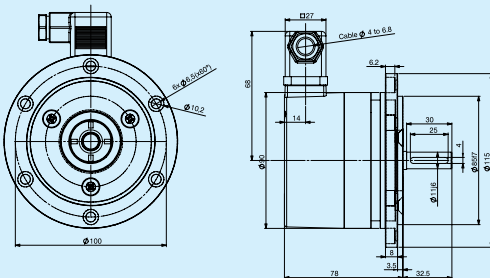


AOSS90 + AINH90xx + FxH90 with 1 incremental + 1 absolute/ bus output

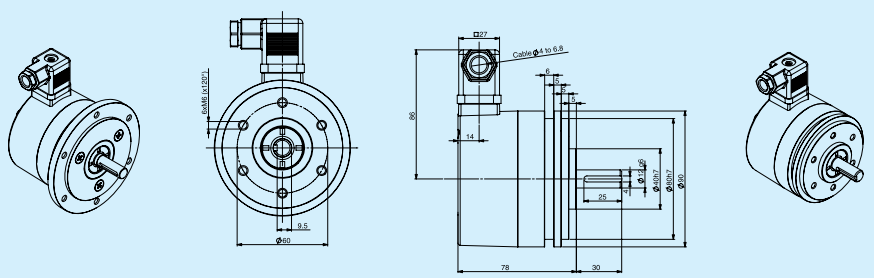


Overspeed switches

AOSS9011



AOSS9012





Products for Crane Manufacture and Maintenance Applications



Pendant Control Stations



Radio Remote Controls



Rotary Limit Switches



Joystick Stations



Position Limit Switches



Main Switches



**Incremental and Absolute Encoders
Speed Switches
Encoder Speed Switch Combinations**



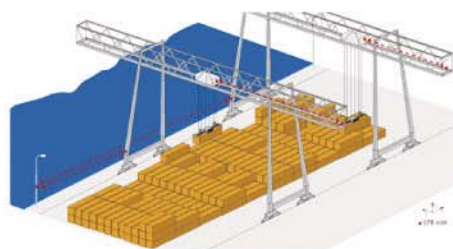
**Safety Stop Switches - Speed Switches
Bypass Switches – Unlocking Devices**



**Radar Anti Collision Device
Ultrasonic Crane Distance Warning System**



Infrared Anti Collision Laser System



Ultrasonic Transponder Crane Control System