

Misalignment (off-track) Switch Typ ET41L and ET41L32 CE-tested

Technical Data



Off-Track Belt Swithes Typ ET4L32

Application

The straight run of troughed conveyor belts is a decisive factor in safe, economic operation. In spite of several mechanical precautions, external influences caused by local conditions, may effect the belts straight running.

The most frequent causes are

- soiling of the support rollers and tail belt drums
- off-center material loading.

If such or similar situations occur, the conveyor belt concerned and the supply belts are to be switched off to prevent

- damage
- destruction
- spillage of material
- erroneous discharge

and the result possibly expensive consequences

Description

These switches are designed for small belt conveyors to detect belt misalignment. They are equipped with a roller which is beared on the stainless steel actuation lever. When misalignment occurs, the lever is displaced by the flank of the belt out of the neutral position. When the displacement angle reaches 25° the contacts switch over. The maximum displacement angle of the roller lever is 55°. When the belt returns to its normal position the roller lever follows this movement. Switching back happens auto-matically at a displacement angle of 16°. For universal, easy mounting the actuation lever can be positioned in any angle to the switch shaft.

Each switch is equipped with one contact NC and one contact NO. Both contacts switch over simultaneously in snap-action, the NC contact has a direct opening mechanism (positive

drive). Each contact has a rating of 240 VAC 6A or 24 VDC 5 mA up to 10 A. The IP67 protected enclosure is made of die-cast aluminium. The long-life polyamide roller is sleeve-bearred on the stainless steel actuation lever.

Two different diameters of the roller are available:

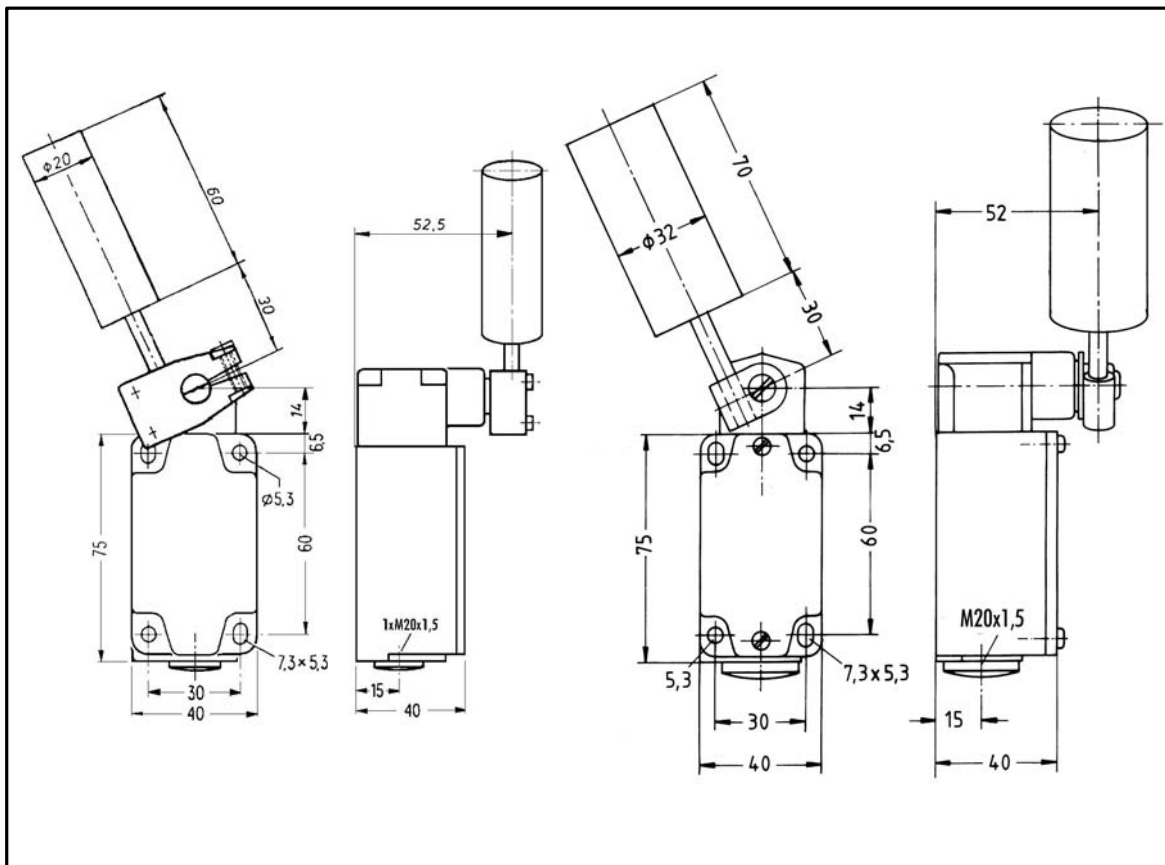
20mm for smallest mounting situations (type ET41L) or 32mm for greatest lifetime (ET41L32).
deflection of 12°-15° are provided for.
deflection of 12°-15° are provided for.



Mounted ET41L32

Technical Data

Conforms to standard	DIN VDE 0660 Part 200
Actuation angle	25°
Max. displacement angle	55°
Switching elements	1 NO and 1 NC
Contact ratings	240VAC 6 A or 24VDC 5 mA up to 10A
Cable entry	1 x M20x1,5 threaded hole
Protection	IP 67 (according to EN 60529)
Housing material	Die-castaluminium
Housing colour	Yellow RAL 1003
Weight	0.3 kg
Fixing	4 holes for M5-screws
Mounting direction	Optional
Operating temperature	- 40°C up to + 85°C



Dimension Type ET41L / ET41L32

Order number

ET41L conveyor belt misalignment switch \varnothing 20mm roller

ET41L32 conveyor belt misalignment switch \varnothing 32mm roller



Meyer Industrie-Electronic GmbH
Carl-Bosch-Str. 8, D - 49525 Lengerich

Tel.: +49-5481-9385-0, Fax: +49-5481-9385-12

E-Mail: sales@meyle.de

Internet: <http://www.meyle.de>